

1. ... -
2. ... i , 2000. - 247 . -
3. ... // ... ( ... ) . -
- 34-39. ... «GORSR» 10 (6) // ... ) . - 2000. - 3. - .
4. ... , -
5. ... // . 53- ... , 1999. - . 10. -
6. ... - 2- ... . - ; ... , 2000. - 480 . -
7. ... - ; ... , 1990. - 496 . -

14.12.2004

621.382.2:53.072

... , ... " ... " ...

-

, -

,

( ) -

.

,

,

.

( . 1 ) : , -

; , -

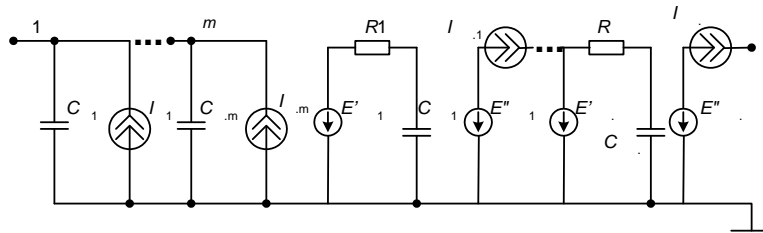
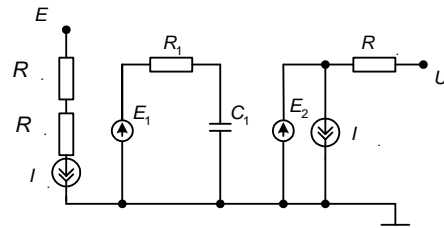
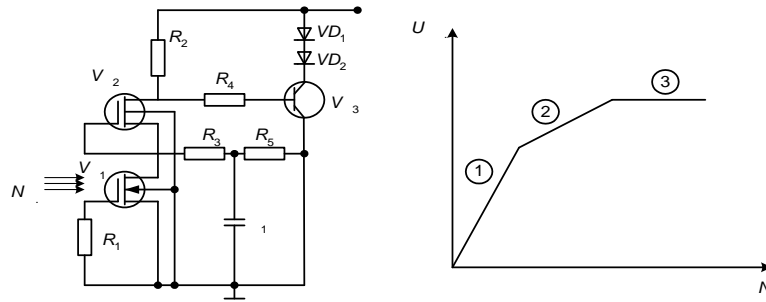
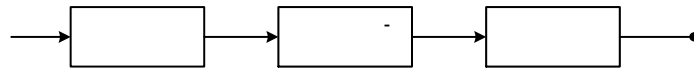
; , .

43

$$\begin{aligned}
& R = f(U, t). \\
& (1) \quad (2) \\
& = R_1 + R_2 \quad I_1 \quad R_1 = \\
& N_Z, R_1 - \\
& (E_1, R_1, C_1) \\
& I_1 = f(U), \\
& R_1, \\
& E_2. \\
& N \quad [1]. \\
& (1, 2, 3) \quad (1). \quad U = f(N) \\
& I_i(U_i, dU/dt) \quad I_i(U_i) \\
& U_j(U_j) \quad i=1 \dots m, \quad j=1 \dots n. \\
& (1) \quad I_i \quad m \quad n \quad C_i - \\
& E_i \quad U = f(U), \\
& R_j C_j \quad j \\
& j-
\end{aligned}$$

$I_j$

$E_i$



$I_j$

$E_i$

$I_j$

$$y = a_k x + b_k, k = 1 \dots n$$

$U_i, U_j, U$

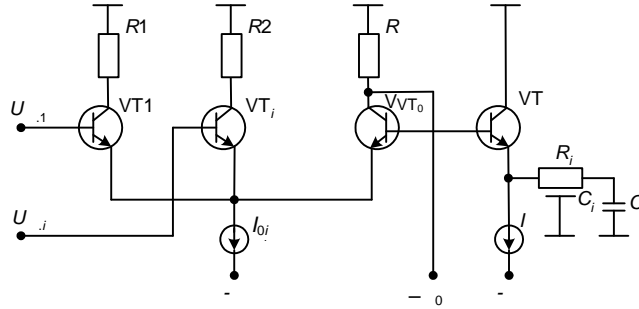
$$\tau_j = R_j C_j$$

$R_j = \text{const}; C_j = \text{var.}$

( )

RC- ( . 2),

$$\begin{aligned}
 U_{i1}(A_{11}d^2/dt^2 + A_{21}d/dt + 1) &= U_{i1}(B_{11}d^2/d^2t + B_{21}d/dt + 1) - U_{i1}; \\
 U_{in}(A_{1n}d^2/dt^2 + A_{2n}d/dt + 1) &= U_{in}(B_{1n}d^2/d^2t + B_{2n}d/dt + 1) - U_{in}.
 \end{aligned}
 \tag{1}$$



. 2.

$$U_n = \varphi \ln I / I_0 - ; I_0 -$$

$$A_{1n} = \tau (\tau_{j0} + R_1 C_{jc}) (1 + R_{f1} / R);$$

$$A_{2n} = \tau (1 + R_1 / R) + C_{jc} (r + R_{f1} (1 + r / R)); B_{1n} = \tau \tau_{j0};$$

$$B_{2n} = \tau + \tau_{j0}; \tau = r (j_0 + \tau_N \lambda I); \tau_{j0} = R_{f1} / R; \lambda = 1 / \varphi.$$

$$\varphi / I = r; R_1 = R + R_{jc} / C_{jc} - ; R_{f1} -$$

$A_{1n}, A_{2n}, B_{1n}, B_{2n}$

- 1)  $I_0 = \text{const}; U_{0n} = \text{const};$
- 2) ;
- 3)  $U = \varphi \ln I / I_0 + ir.$

[2]:

$$U_{i1} = (U_{i1} - U_{0n} + d/dt C_1 R_2 (U_{ki} - U_n)) / (1 + g_{1i} + g_{2i});$$

$$g_{1i} = (R + R_1 / \beta + 1) g_{3i};$$

$$g_{2i} = R_2 C_1 (1 + g_{1i}) + (R_1 + R_2) (C_{jc} + \tau_N \lambda g_{3i});$$

(2)

$$g_{3i} = I_0 \exp \lambda U_{BBi} / (1 + \sum \exp \lambda U_{i-1}) (1 + \exp \lambda U_{i-1}),$$

$$R_2 = R_{i-1} / J_C; \quad J_C = \dots$$

$$I_{Ki} = I_0 - I_K; \quad (3)$$

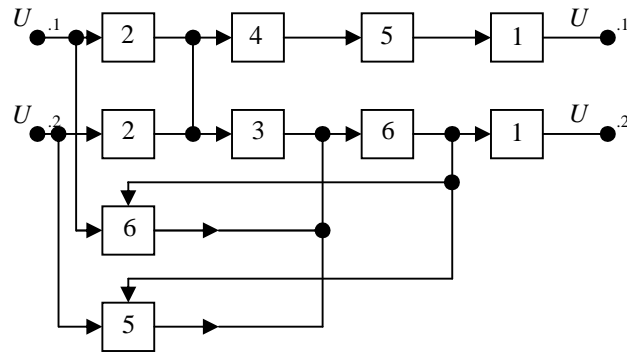
$$I = I_0 / (1 + \sum \exp \lambda U_{i-1}). \quad (4)$$

$$U (1 + C U dI_0/dt) = U / I_0 (I - C_1 U d/dt); \quad (5)$$

$$U_{i-1} (1 + C U d/I_0 dt) = U / I_0 (I + C_1 d(U_{i-1} - U_{ki})/dt). \quad (6)$$

(2)...(6)

(2)...(6),



1.

2.

1. ... 1989. – 320 .
2. ... 1978. – .1. – 109 .

1.07.2002

621.311

... ..

( ) – -

-

-

[1...3]. , ,

3...4 2...3 .

6-10 ,

6-10 :

- ;
- ;
- -

6-10 ,

-