

1. ... 1989. – 320 .
2. ... 1978. – .1. – 109 .

1.07.2002

621.311

... ..

( ) – -

-

-

[1...3]. , ,

3...4 2...3 .

6-10 ,

6-10 :

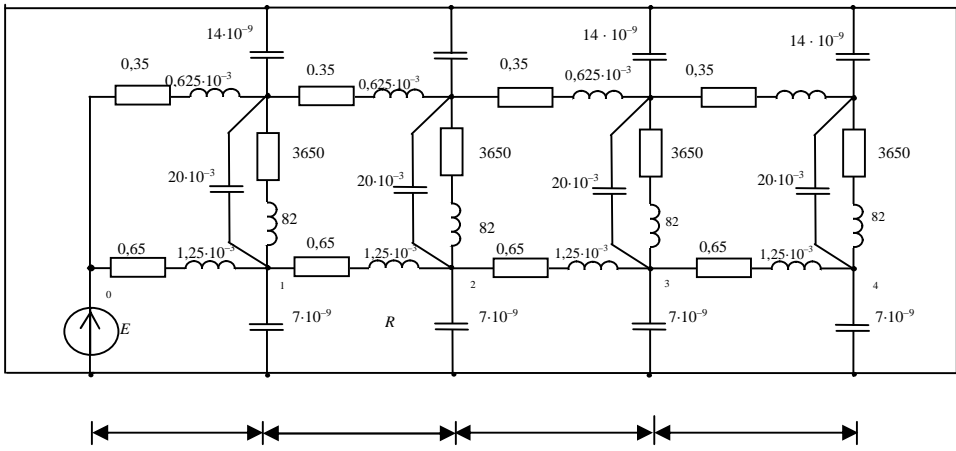
- ;
- ;
- -

6-10 ,

-

[1], ( ) ,  
 ),  
 ,  
 , [1] ,  
 ( ) ,  
 ,  
 ,  
 [1].

«Electronics Workbench»  
 ( . 1), 1  
 160 ( )  
 ), ( )



. 1

( 0... 4)  
10000 )

500...5000

100

(R = 10; 100; 1000;

«Electronics Workbenc».

. 1. ,

l

		1	2	3	4
10	5000	33,90	66,27	95,67	120,8
	2500	26,56	52,83	78,47	103,3
	1000	23,48	46,92	70,28	93,51
	500	19,68	39,36	59,00	78,65
100	5000	30,56	59,75	86,27	108,9
	2500	17,12	34,05	50,60	66,57
	1000	7,496	14,97	22,42	29,83
	500	3,892	7,773	11,65	15,53
1000	5000	7,201	14,09	20,33	25,67
	2500	2,397	4,573	6,755	8,861
	1000	1,040	1,754	2,540	3,226
	500	0,7059	0,9853	1,348	1,738
10000	5000	2,234	3,586	4,848	6,126
	2500	1,379	1,470	1,958	2,401
	1000	1,205	1,233	1,085	1,493
	500	1,016	0,9966	1,080	1,210

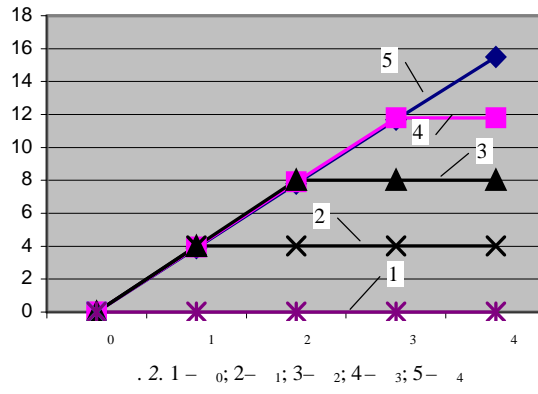
0... 4  
500

. 2.

R = 100

2,

( 0) ( 4). , 1, 3),



. 1,

$R = 100$

$R = 100$

	1	2	3	4
5000	46,97	54,99	60,55	63,40
2500	20,61	21,34	21,83	22,08
1000	7,928	7,971	7,998	8,013
500	4,026	4,031	4,034	4,037

1000

( 10000 )  
( 5000 ).

:  
0,20...0,25 %.

0,20...0,25 %.

. 2 . 1, 2

( .3 )

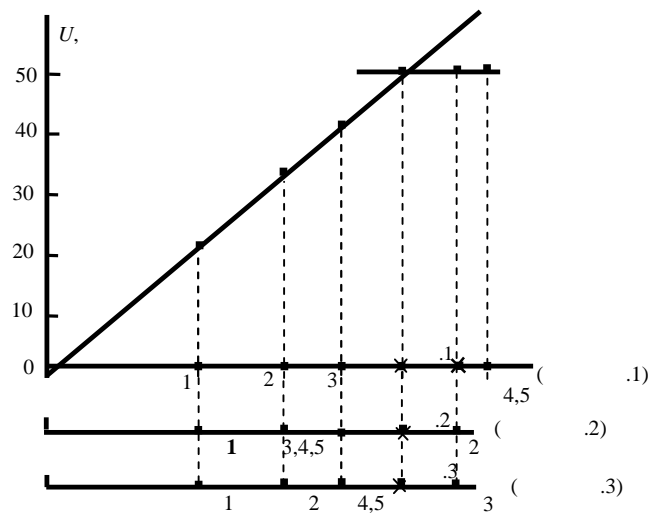
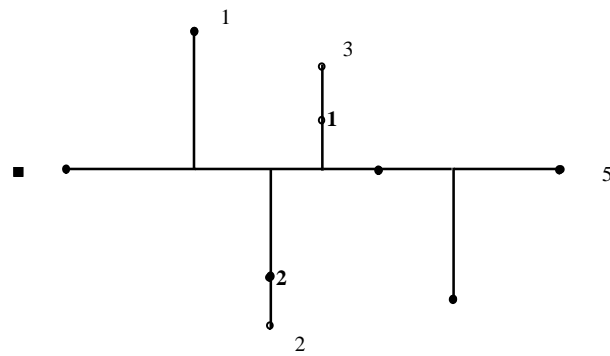
1.

2 ( 2) 3 ( 3).

( .3),

4 5,

( .3 )



.3

	1	2	3	4	5	
	20	32	40	50	50	.1
	20	50	32	32	32	.2
	20	32	50	40	40	.3

2 (  $2$  ) . -  
 ( , .3 ). 2. -  
 :

3. ( , .3 ), -  
 ( 3). -

6-10/0,4 , -

6-10 , -  
 , -  
 , -

1. -
2. -
3. -

1. , 1982. - 312 . -
2. . - : , 1989. - 92 . -
3. ( . . . . . ) . - 2001. - 6. - . 10-16. ...

26.06.2003